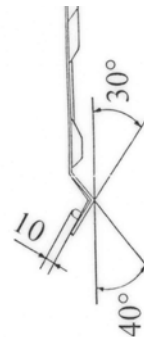
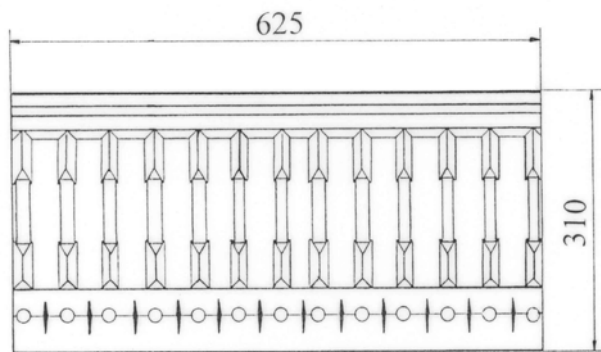
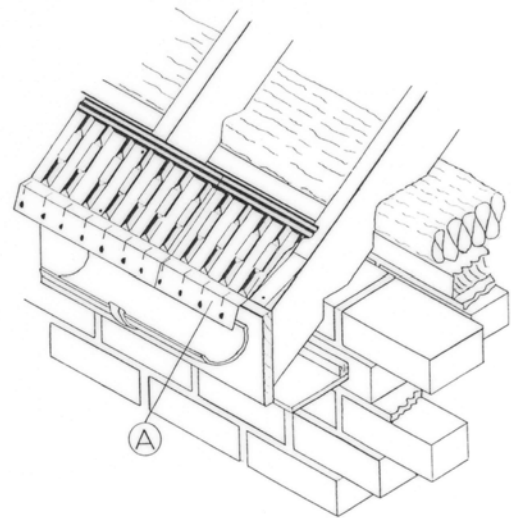
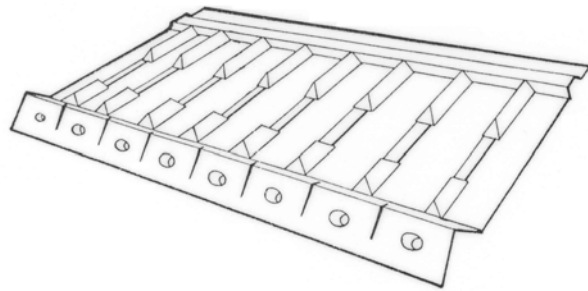


Felt Support Tray

CODE **G1280**



Description:

The G1280 Felt Support Tray is designed to fit any rafter centres and provides support for the roofing felt. It eliminates the problem of rotting felt by sagging and retaining water at low-level eaves.

Fitting Instructions:

The G1280 Felt Support Tray (A) should be used with timber fillets. The front "bobble" edge should be dressed towards the gutter and either stapled or nailed into position.

The first "bobble" of each tray should be used to locate the over lap, felt should be dressed over the G1280 Felt Support Tray as normal.

Use in conjunction with other products from the Manthorpe range to provide a complete roof ventilation system.

COLOURS	Black
PACKING DETAILS	50 Panels per box
WEIGHT	5.7kg per box
MATERIAL	Lightweight Rigid PVC
MANUFACTURING PROCESS	Vacuum Formed

References:

BRE:	DIGEST 14
BSI:	BS5534
NHBC:	Technical Bulletin 6/21
NHBC:	Standards 7.2
P.S.A:	Defects in Buildings

MANTHORPE BUILDING PRODUCTS LTD
MANTHORPE HOUSE
BRITAIN DRIVE
CODNOR GATE BUSINESS PARK
RIPLEY
DERBYSHIRE DE5 3ND

TEL: 01773 514 200
FAX: 01773 514 262
EMAIL:
sales@manthorpe.co.uk
WEB:
www.manthorpe.co.uk

DRN M.A

Date 01.08.03

DRG No

Issue

The company maintains a policy of continuous development of its product range and reserves the right to amend the specification without notice.

MBP 8025

A