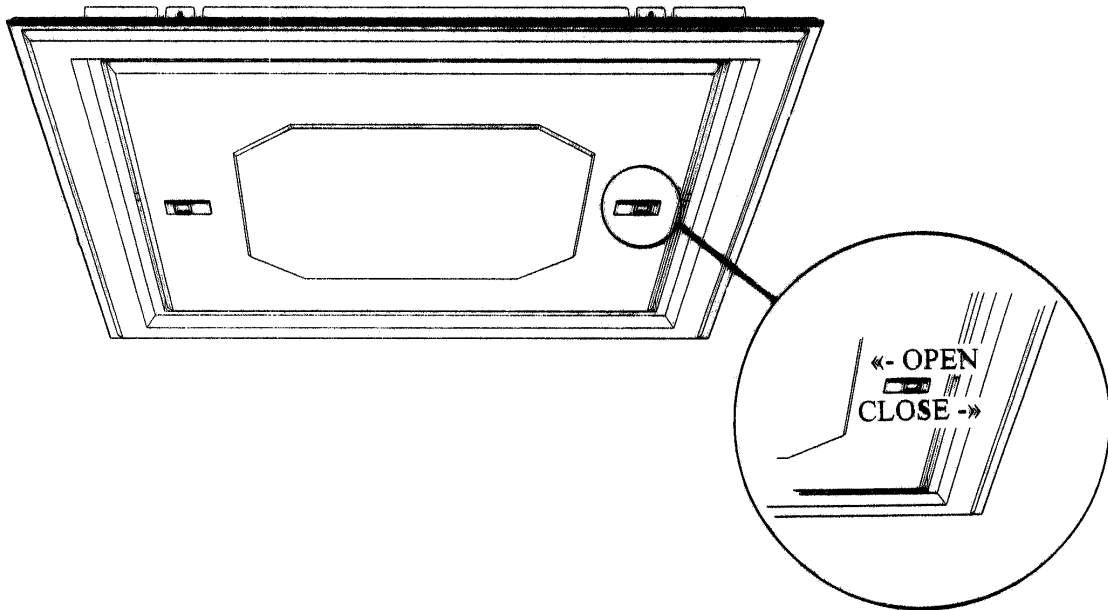


Push Up Loft Access Door

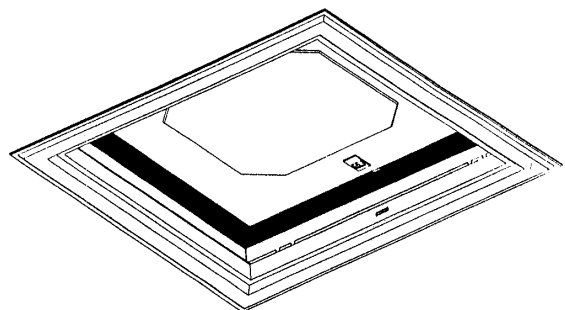
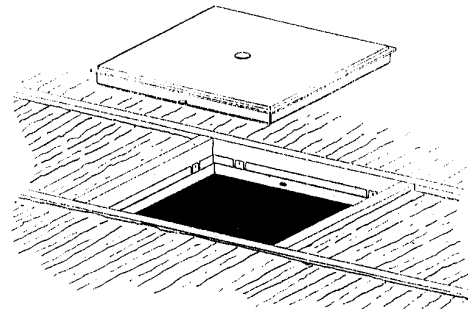
CODE **GL260**



Operating Instructions:

To open the door, simply pull the two locking catches in towards the centre of the door to release from the frame. Push the door upwards into the loft space and place to one side for unrestricted access alternatively the door can be totally removed if required.

To replace the door position over the opening ensuring the catches are in line with the locking apertures in the frame. With the catches still pushed into the centre of the door allow the door to be lowered back into the frame. Check the door is correctly positioned and aligned in the frame and push the locking catches outwards to lock the door into position as shown.



References:

BRE:	DIGEST 262/270
BSI:	BS5250
DOE:	Building Regs L1
NHBC:	Good Practice Guide
NHBC:	Standards 7.2

MANTHORPE BUILDING PRODUCTS LTD
MANTHORPE HOUSE
BRITAIN DRIVE
CODNOR GATE BUSINESS PARK
RIPLEY
DERBYSHIRE DE5 3ND

TEL: 01773 514 200
FAX: 01773 514 262
EMAIL:
sales@manthorpe.co.uk
WEB:
www.manthorpe.co.uk

DRN M.L.W.O

Date 01.08.03

DRG No

MBP 8030

Issue

A

The company maintains a policy of continuous development of its product range and reserves the right to amend the specification without notice.