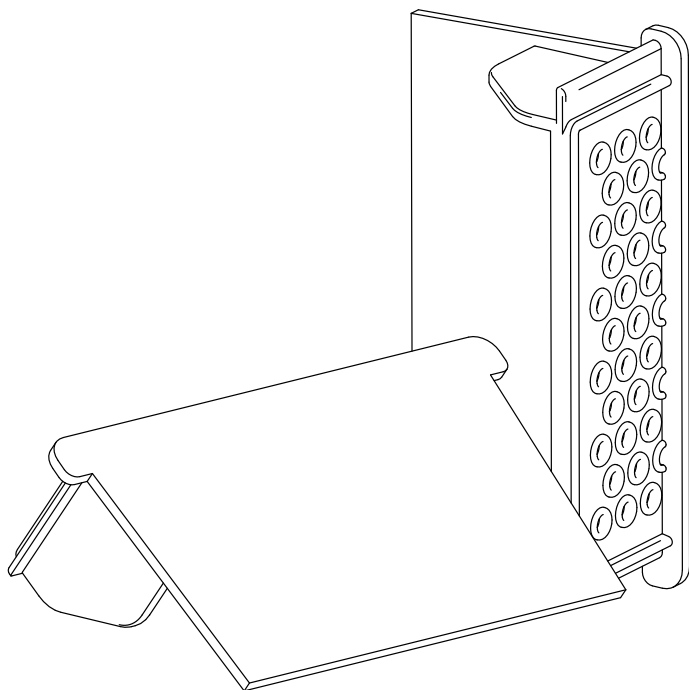


Linear Dry Verge Eaves End

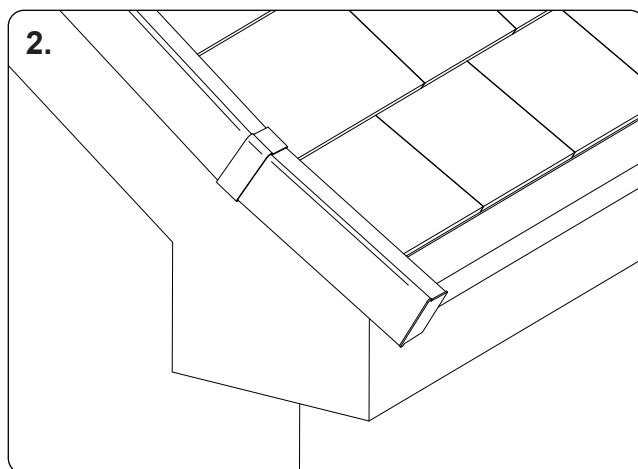
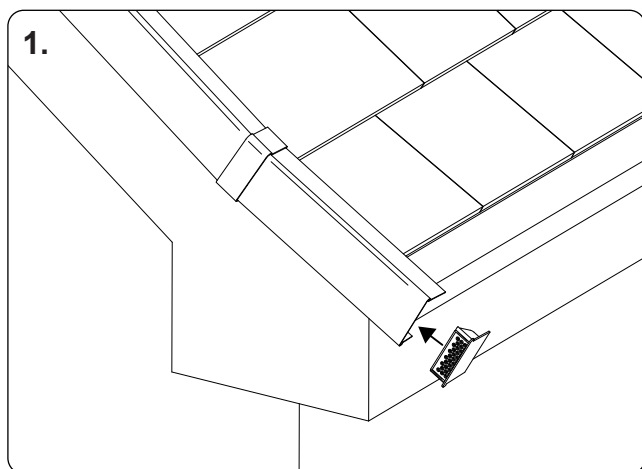
CODE GLV-EE



Quantity	20 per box
Colours	Slate Grey (GR) Black (BL) White (WH) Terracotta (TR) Dark Brown (BR)
Material	UPVC
Weight	0.9 kg (per box)
Manufacturing Process	Fabricated

Description

The Linear Dry Verge Eaves End can be used to neatly finish and close the bottom section of Linear Dry Verge down at eaves level. In some instances, it may be necessary to extend the bottom Linear Dry Verge unit passed the gutter and fit the Eaves End so that it doesn't foul on the guttering (see illustrations below). The Eaves End is designed to slide into the end of the bottom Linear Dry Verge unit and should be secured in place using a suitable adhesive. The Eaves End is available in a variety of colours to match the other components in the Linear Dry Verge system.



MANTHORPE BUILDING PRODUCTS LTD
MANTHORPE HOUSE
BRITTAIN DRIVE
CODNOR GATE BUSINESS PARK
RIPLEY
DERBYSHIRE DE5 3ND

TEL: 01773 514 200
FAX: 01773 514 262
EMAIL:
sales@manthorpe.co.uk
WEB
www.manthorpe.co.uk

DRN M.R

Date 06.11.09

DRG No

MBP 8285

Issue

A

The company maintains a policy of continuous development of its product range and reserves the right to amend the specification without notice.