

### SmartVerge® Linear Dry Verge System - Verge Unions

CODE **GLV-VU**

**Product Codes:**

Verge Union

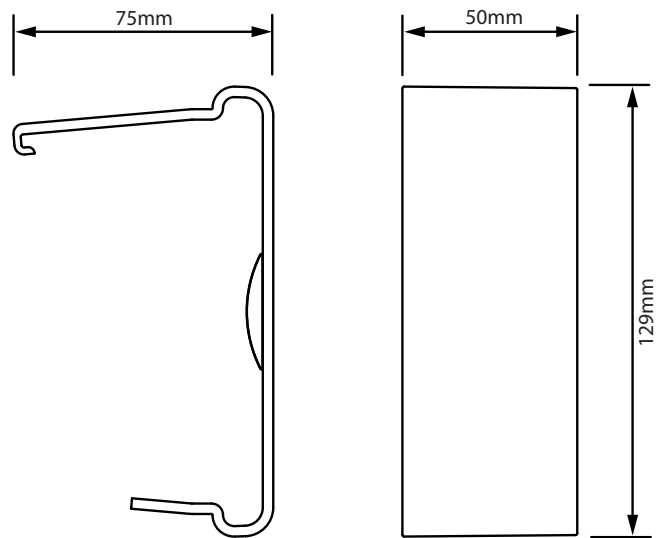
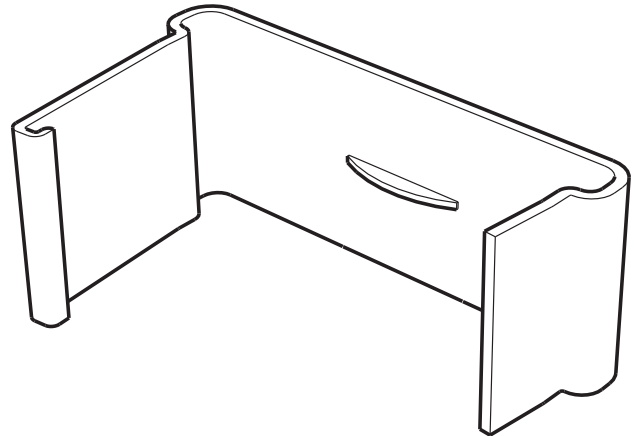
**GLV-VU**


**Description:**

The Manthorpe SmartVerge® Linear Dry Verge Verge Union can be used to cover a joint where two **GLV-LH** or **GLV-RH** Linear Verge Units abut each other.

For roofs where the bottom course tiles are tilted upwards, a **GLV-VU** Verge Union Clip should be used to join two Linear Verge Units abutting at different angles.

The Manthorpe SmartVerge® Verge Union is available in Slate Grey, Black, White, Terracotta and Dark Brown to compliment the full range of Linear Verge Units.

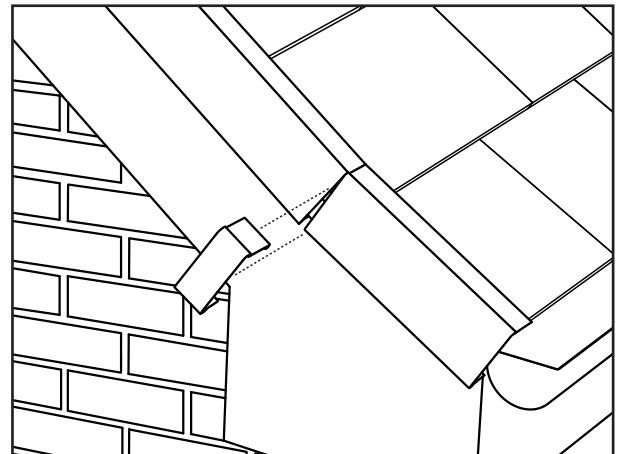


<b>PACKING DETAILS</b>	Verge Union Pack contains 2 Verge Unions plus Fixing Instructions. 10 Packs per Box.
<b>WEIGHT</b>	1.42 Kg per Box
<b>MATERIAL</b>	Unplasticized Polyvinyl Chloride (uPVC)
<b>MANUFACTURING PROCESS</b>	Injection Moulded
<b>COLOUR VARIATIONS</b>	 Slate Grey (GR)    Black (BL)    White (WH)    Terracotta (TR)    Dark Brown (BR)

**References:**

**BSI: British Standard 5534:2003**  
**BSI: British Standard 6399-2:1997**  
**NHBC Standards Chapter 7.2**

**Fixing:**



MANTHORPE BUILDING PRODUCTS LTD  
 MANTHORPE HOUSE  
 BRITAIN DRIVE  
 CODNOR GATE BUSINESS PARK  
 RIPLEY  
 DERBYSHIRE DE5 3ND

TEL: 01773 514 200  
 FAX: 01773 514 262  
 EMAIL:  
 sales@manthorpe.co.uk  
 WEB  
 www.manthorpe.co.uk

DRN R.P

Date 05.06.07

DRG No

Issue

The company maintains a policy of continuous development of its product range and reserves the right to amend the specification without notice.

**MBP 8255**

**B**