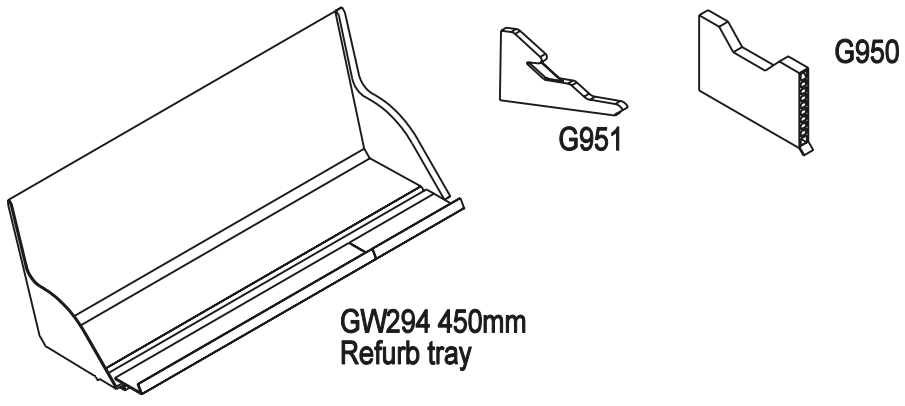
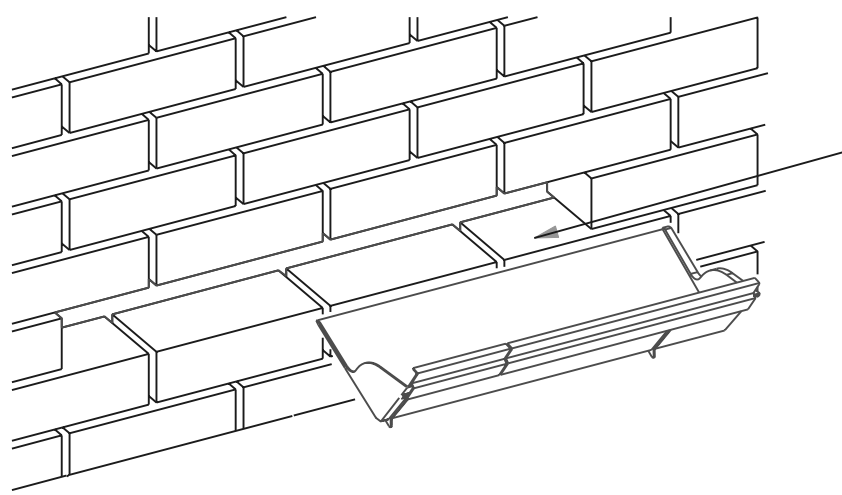


TITLE REFURBISHMENT FITTING DETAIL	CODE
--	------

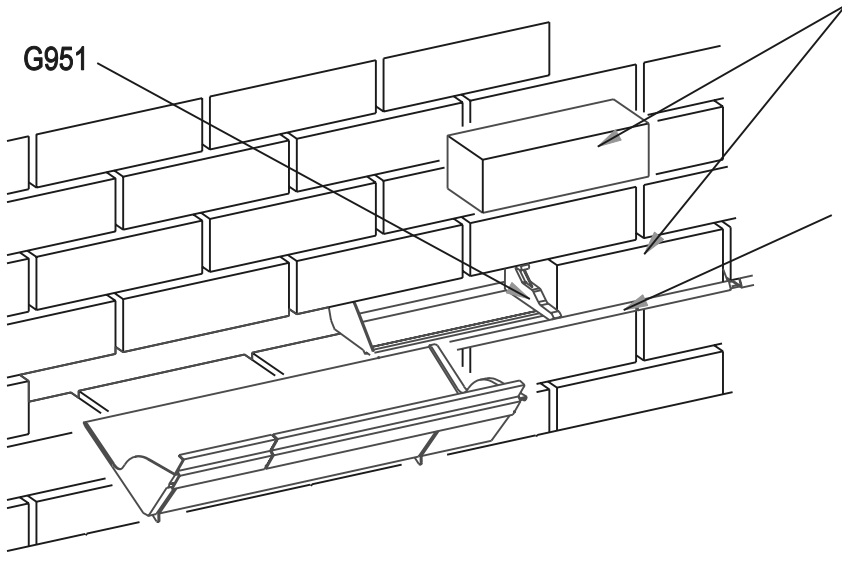


The GW294 450mm Refurb tray is designed for fitting into existing walls with the minimum of disturbance to the surrounding construction.



Start by carefully removing three bricks from the existing wall 75-150mm above the finished roof line.

Slid a tray though hole and bed into position on to a thin layer of mortar.



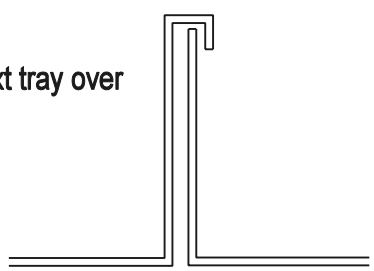
Now replace two of the removed bricks mortaring into position , remembering to fit a G950 or G951 weep vent in the centre of each tray. Continue this process for the required d

MORTAR CLIPS
Remove when ready to fit lead

LEADED TRAYS
After fitting the trays and mortar is dry the lead should be dressed as shown and pointed using lead sealant. and wedges as per normal practice. The lead should then be dressed down and pointed using a suitable flexible sealant.

Lead is available attached to the tray in three different lengths
 Short 75mm drop
 Standard 150mm drop
 Long 300mm drop

Hook next tray over last one



UNLEADED TRAYS
When mortar is dry and the wall is stable the mortar clips should be removed leaving a 25mm deep gap to fix lead flashing into using lead wedges as per normal practice. The lead should then be dressed down and pointed using a suitable flexible sealant.

Note: Mortar is not shown for clarity

MANTHORPE BUILDING PRODUCTS LIMITED MANTHORPE HOUSE, BRITAIN DRIVE, CODNOR GATE BUSINESS PARK, RIPLEY, DERBYSHIRE DE5 3ND. TELE: 01773 743555 FAX: 01773 748736	Dm MC The Company maintains a policy of continuous development of its product range and reserve the right to amend the specification without notice.	Date DRG No 8125	ISSUE A
--	---	---------------------------------------	-----------------------