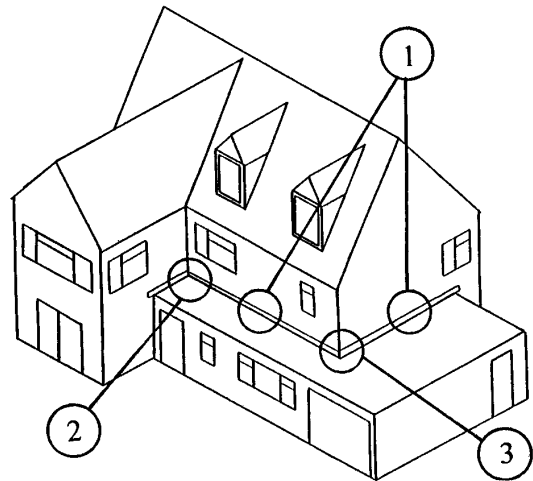
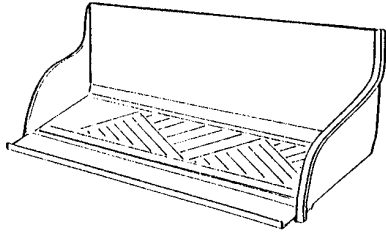
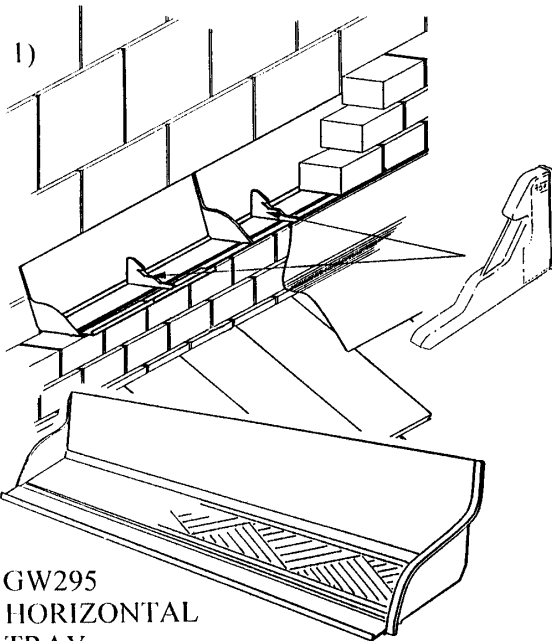
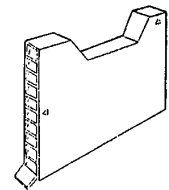


## HORIZONTAL CAVITY TRAY SYSTEM

GW294  
REFURBISHMENT / SHORT  
HORIZONTAL TRAY

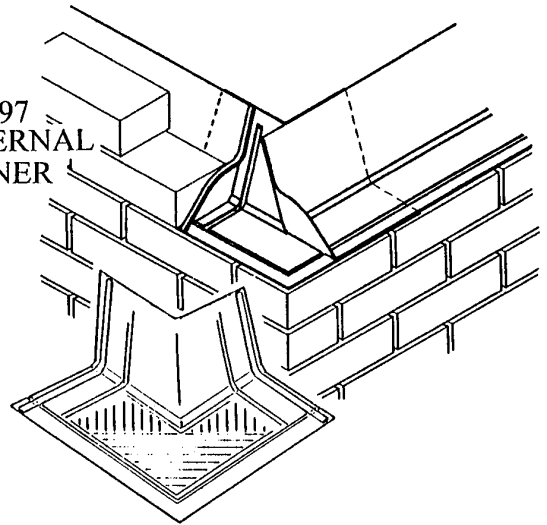


G951 PEEP WEEP OR  
G950 WEEP VENT

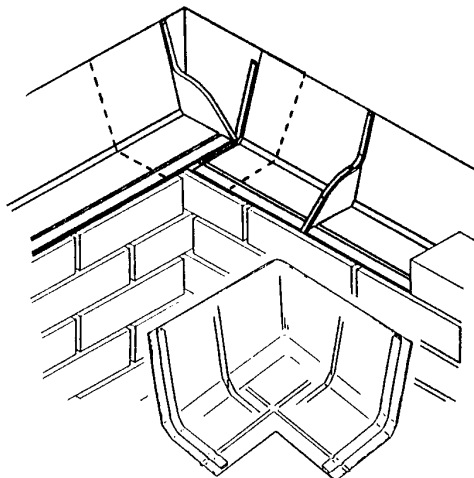


GW295  
HORIZONTAL  
TRAY

3) GW297  
EXTERNAL  
CORNER



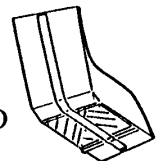
2) GW296 INTERNAL CORNER



GW299 STOP END



GW298 STOP END



**NOTE: - MORTAR IS NOT SHOWN FOR CLARITY.**

MANTHORPE BUILDING PRODUCTS LTD  
MANTHORPE HOUSE  
BRITAIN DRIVE  
CODNOR GATE BUSINESS PARK  
RIPLEY  
DERBYSHIRE DE5 3ND

TEL: 01773 514 200  
FAX: 01773 514 262  
EMAIL:  
[sales@manthorpe.co.uk](mailto:sales@manthorpe.co.uk)  
WEB:  
[www.manthorpe.co.uk](http://www.manthorpe.co.uk)

DRN M.L.W.O

Date 01.08.03

DRG No

Issue

The company maintains a policy of continuous development of its product range and reserves the right to amend the specification without notice.

**MBP 8121**

**A**