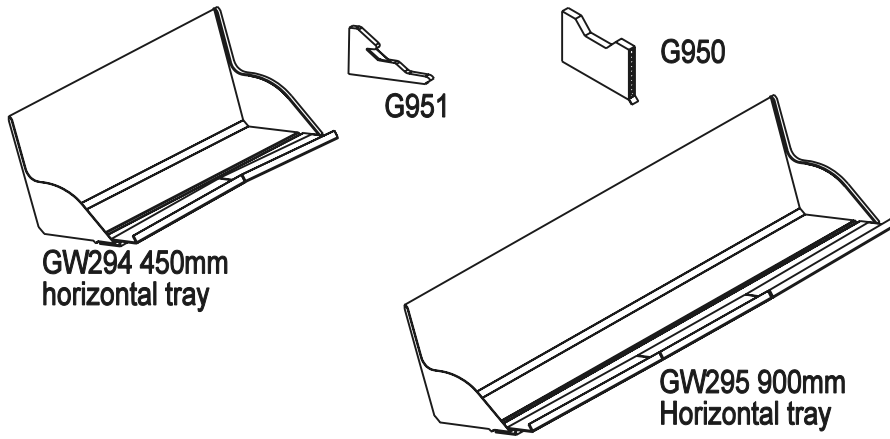


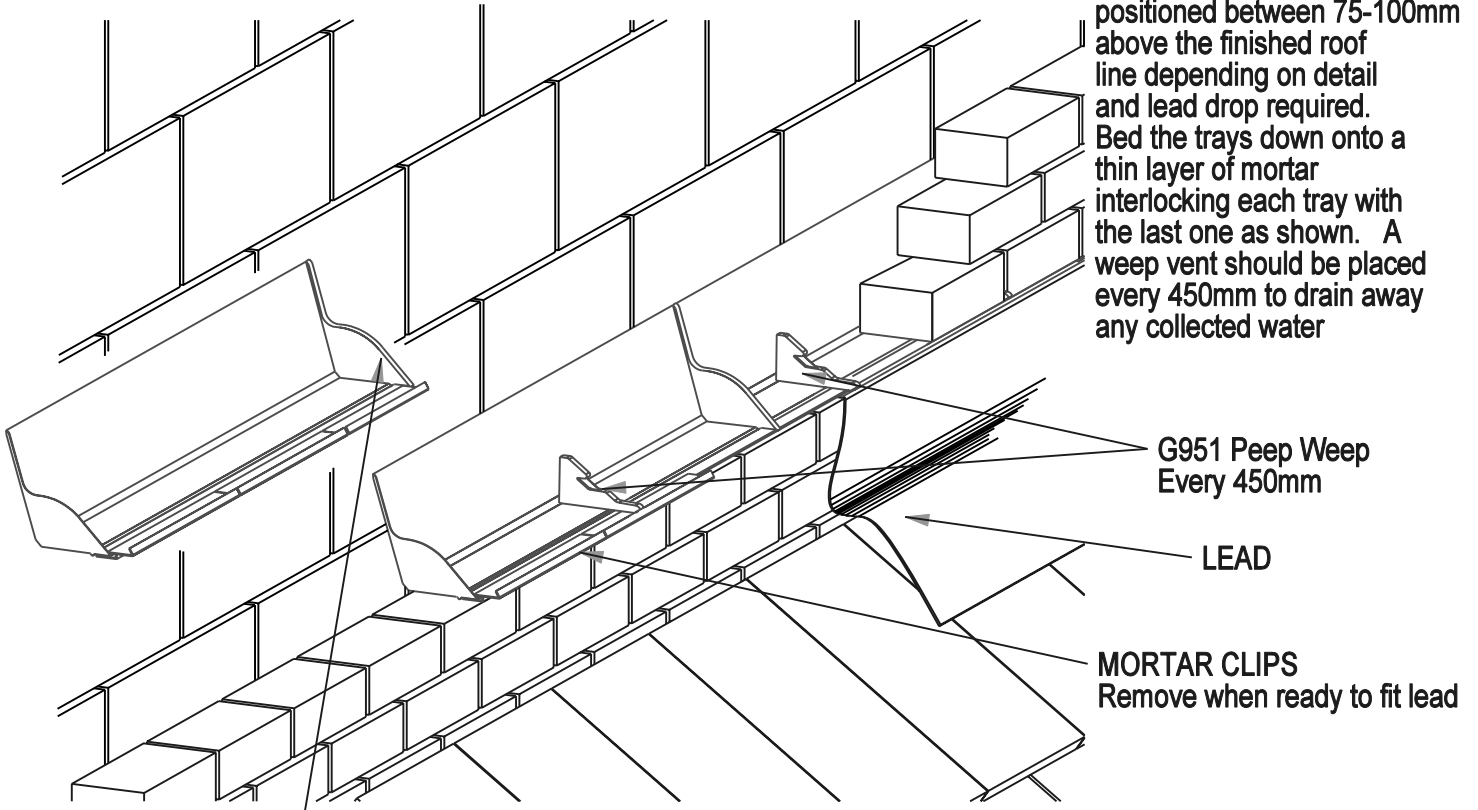
TITLE	CODE
-------	------

## HORIZONTAL FITTING DETAIL



The GW295 900mm and GW294 450mm horizontal collect any water from above and discharge it through a G950 or G951 Weep Vent. It is used to protect the area below a horizontal roof abutment.

The trays should be positioned between 75-100mm above the finished roof line depending on detail and lead drop required. Bed the trays down onto a thin layer of mortar interlocking each tray with the last one as shown. A weep vent should be placed every 450mm to drain away any collected water



Hook next tray over last one

G951 Peep Weep Every 450mm

LEAD

MORTAR CLIPS  
Remove when ready to fit lead

### LEADED TRAYS

After fitting the trays and mortar is dry the lead should be dressed as shown and pointed using lead sealant.

Lead is available attached to the tray in three different lengths in code 4 or 5

- Short 75mm drop
- Standard 150mm drop
- Long 300mm drop

### UNLEADED TRAYS

When mortar is dry and the wall is stable the mortar clips should be removed leaving a 25mm deep gap to fix lead flashing into using lead wedges as per normal practice. The lead should then be dressed down and pointed using a suitable flexible sealant.

Dm	Date	DRG No	ISSUE
MC	The Company maintains a policy of continuous development of its product range and reserve the right to amend the specification without notice.	8053	A