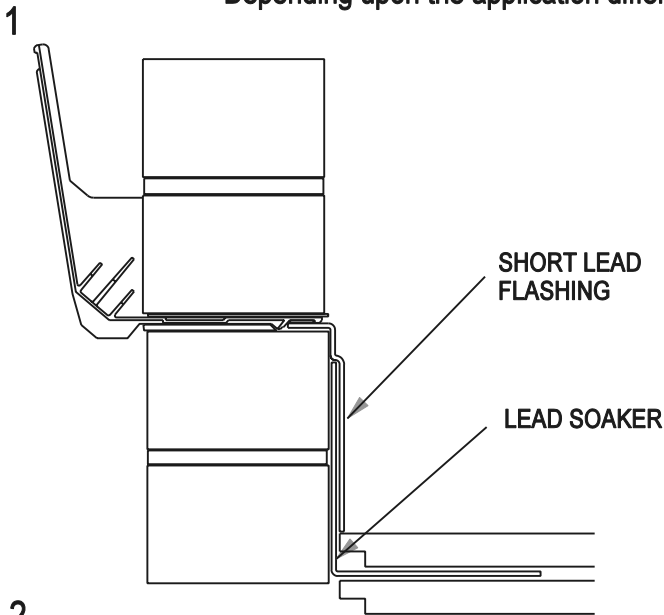


TITLE	DIFFERENT LEAD TYPES	CODE
-------	----------------------	------

Depending upon the application different sizes of lead should be used



For general details and normal exposure areas code 4 lead is recommended. For severe exposure areas code 5 lead is recommended

Fig. 1 shows a typical abutment situation using lead soakers.

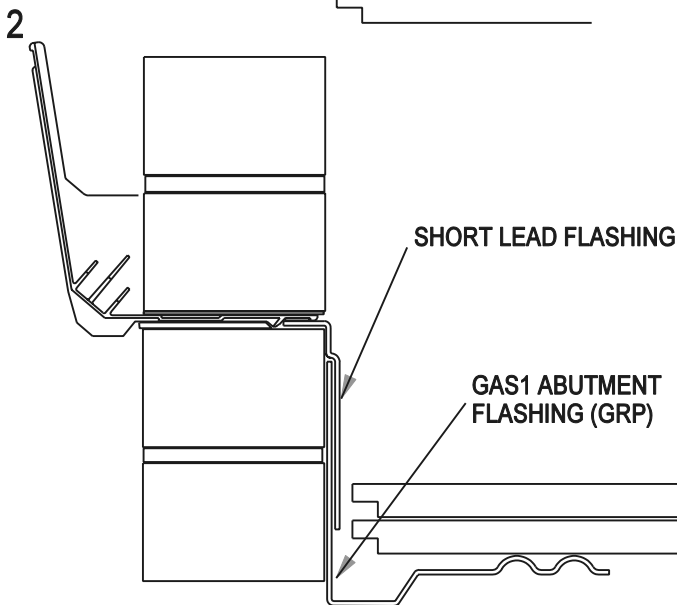


Fig. 2 shown an abutment flashing and secret gutter detail. Secret gutters are traditionally made from lead but are now more commonly bought preformed in GRP.

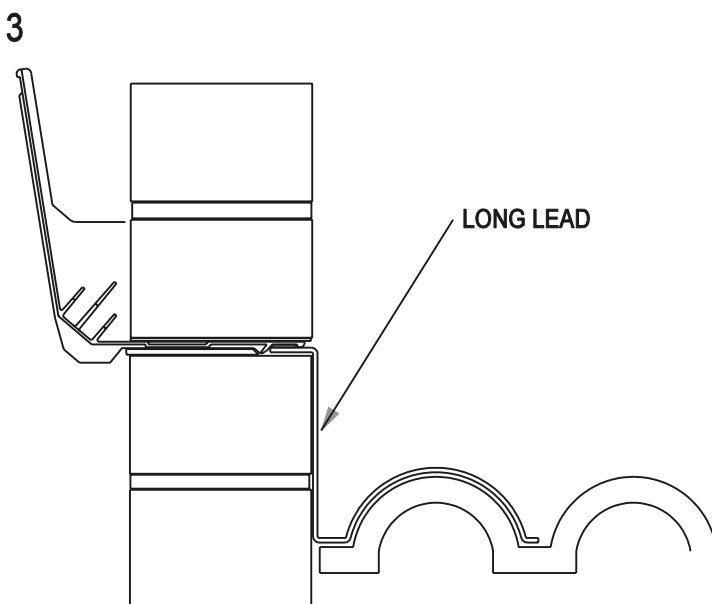


Fig. 3 shows a long lead application. In this detail the lead is dressed over the tile in one continuous piece then moulded into the contours of the tile. This type of flashing should only be used on contoured roof finishes.

FOR FURTHER TECHNICAL INFORMATION ON THE FITTING OF LEAD SHEET REFER TO

THE LEAD SHEET MANUAL  
Available from  
LEAD SHEET ASSOCIATION

MANTHORPE BUILDING PRODUCTS LIMITED MANTHORPE HOUSE, BRITTAIN DRIVE, CODNOR GATE BUSINESS PARK, RIPLEY, DERBYSHIRE DE5 3ND.	TELE: 01773 743555 FAX: 01773 748736	Dm MC	Date 4/3/99	DRG No	ISSUE
		The Company maintains a policy of continuous development of its product range and reserve the right to amend the specification without notice.	8047	A	