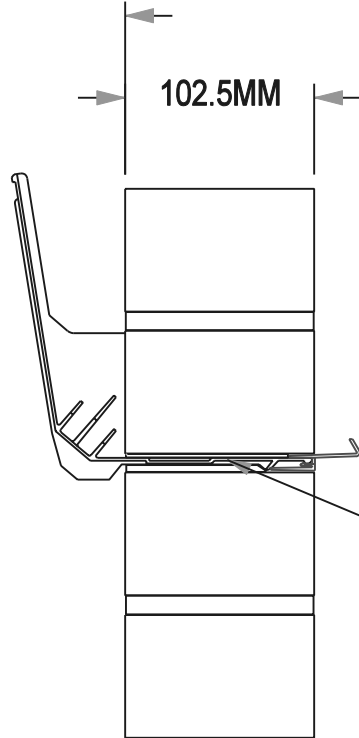
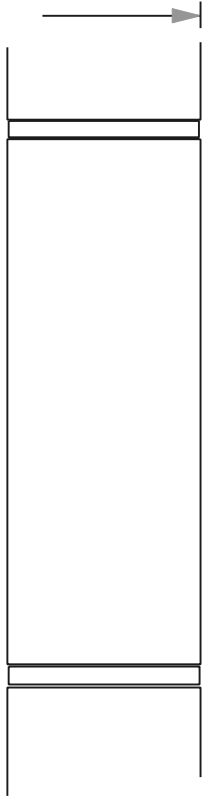


TITLE GENERAL FITTING DETAIL UNLEADED TRAYS

CODE

50 -100MM

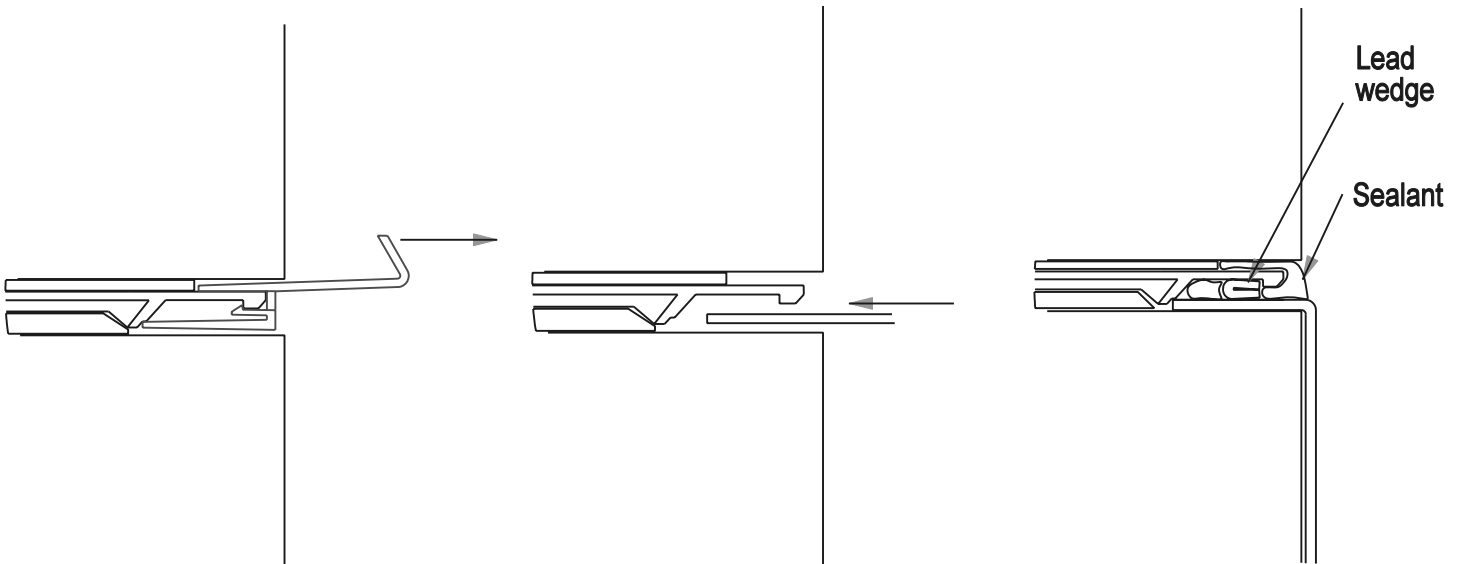


102.5MM

MORTAR STRIP

BED TRAY TOP AND BOTTOM WITH MORTAR

FITTING LEAD



Lead wedge

Sealant

- ① Wait until mortar is dry and wall is stable then pull out mortar strip to leave a 25mm slot
- ② Push lead into the gap ensuring it fits under the Cavity Tray. Secure lead flashing using lead wedges as per normal practice.
- ③ Dress lead down into position and point with a suitable flexible lead sealant.

For further information on the fitting and dressing of lead refer to the 'Lead Sheet Manual' available from the Lead Sheet Association.

MANTHORPE BUILDING PRODUCTS LIMITED
MANTHORPE HOUSE, BRITAIN DRIVE,
CODNOR GATE BUSINESS PARK,
RIPLEY, DERBYSHIRE DE5 3ND.

TELE: 01773 743555
FAX: 01773 748736

Drm

MC

Date

7/4/99

DRG No

8046

ISSUE

A

The Company maintains a policy of continuous development of its product range and reserve the right to amend the specification without notice.