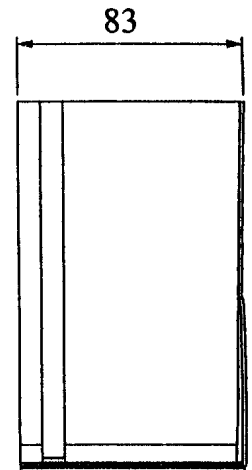
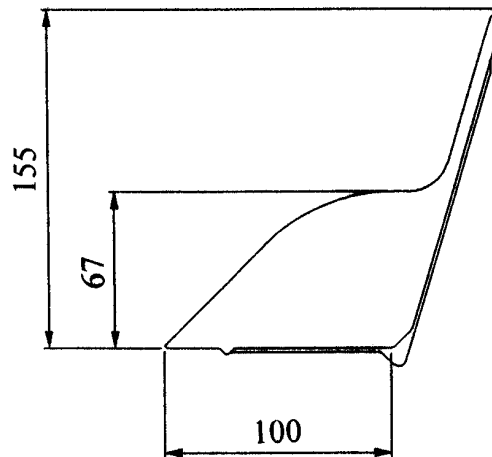
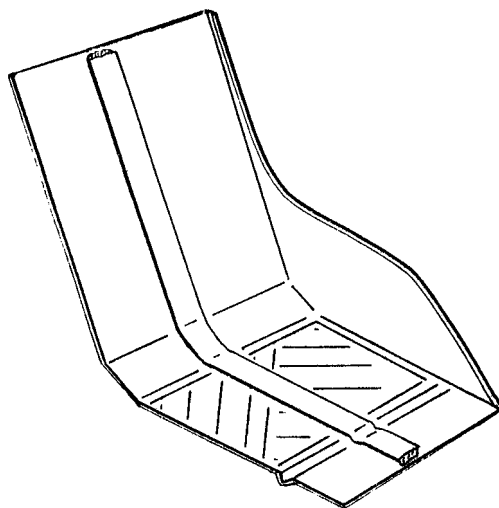


Right Hand Stop End

CODE **GW298**



COLOURS	Black
PACKING DETAILS	Packed in 25's in cardboard box.
WEIGHT	1.9kg per box (unleaded)
MATERIAL	Polypropylene
MANUFACTURING PROCESS	Injection Moulded
SUITABLE FOR CLEAR CAVITY WIDTHS	50mm to 100mm
BED SIZE	102.5mm

Description:

The GW298 Stop End is designed for use with the horizontal cavity tray system and prevents water discharging into the cavity.

Each stop end is supplied with mastic tape ensuring a tight bonded joint is achieved between the stop end and tray.

References:

BRE	:	Building Elements Walls, Windows, Door
BRE	:	DIGEST 262/380
BSI	:	BS5628
BSI	:	BS8000 Part 3
BSI	:	BS8215
NHBC	:	Standards 6.1

MANTHORPE BUILDING PRODUCTS LTD
 MANTHORPE HOUSE
 BRITAIN DRIVE
 CODNOR GATE BUSINESS PARK
 RIPLEY
 DERBYSHIRE DE5 3ND

TEL: 01773 514 200
 FAX: 01773 514 262
 EMAIL:
sales@manthorpe.co.uk
 WEB:
www.manthorpe.co.uk

DRN M.L.W.O

Date 01.08.03

DRG No

Issue

The company maintains a policy of continuous development of its product range and reserves the right to amend the specification without notice.

MBP 8041

A