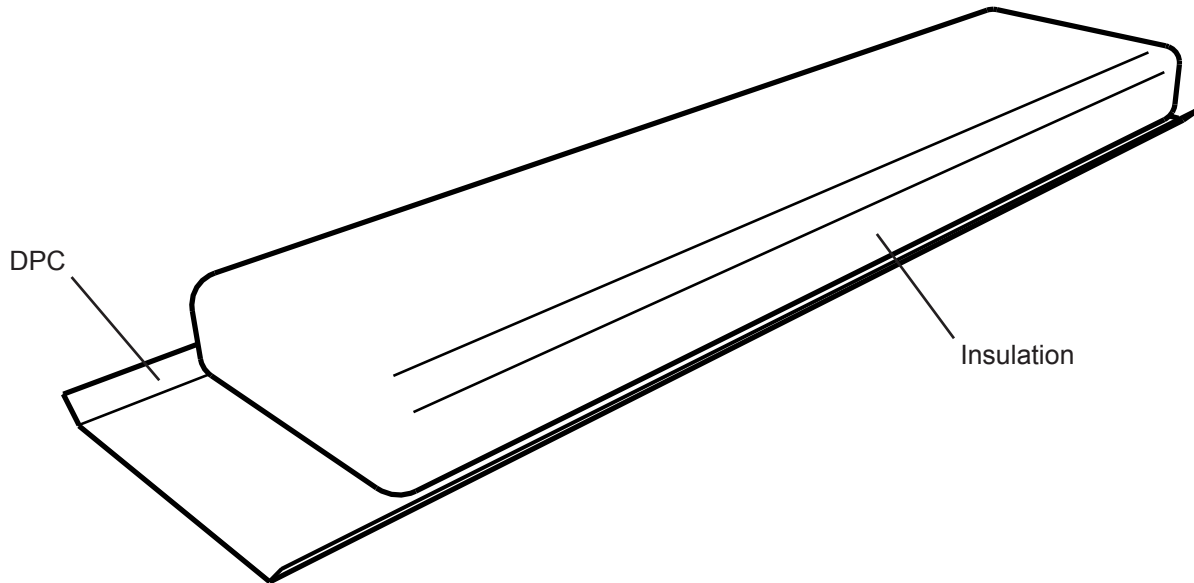


Vertical Fire and Acoustic Party-wall Integrity Barrier (100min Fire Resistance)

CODE: GWCB-V

Product:



Description:

The Manthorpe Vertical Fire and Acoustic Party-wall Integrity Barrier designed for use in masonry or timber frame cavity walls as a vertical cavity barrier.

It is suitable for cavity widths ranging from 50mm to 100mm and combines the benefits of a cavity fire barrier with integral DPC whilst reducing sound transmission along the cavity of external walls..

The Vertical Cavity Fire Barrier is manufactured from glass mineral wool which has a Euroclass A1 fire rating when classified in accordance with BS EN 13501-1. The insulation has also been tested for fire resistance (integrity and insulation) in accordance with BS 476: Part 20: 1987 and can provide 100 minutes fire resistance (see Warrington Fire Test Report No. 144942).

Part E and Robust Details Building Regulations for England and Wales require the use of a cavity closer to reduce flanking noise transmission along party wall cavities and external wall cavities in masonry, timber frame and steel frame construction.

Manthorpe Cavity Barriers meet the generic description for cavity closers and will thus ensure compliance with Part E and Robust Details in masonry, timber frame, and steel frame construction.

Product Code	Width mm	For Cavity Sizes (x) mm	Qty per Pack
GWCB-V-50-65	300	50-65	20
GWCB-V-66-80	300	66-80	20
GWCB-V-81-100	300	81-100	20

MANTHORPE BUILDING PRODUCTS LTD
MANTHORPE HOUSE
BRITTAIN DRIVE
CODNOR GATE BUSINESS PARK
RIPLEY
DERBYSHIRE DE5 3ND

TEL: 01773 514 200
FAX: 01773 514 262
EMAIL:
sales@manthorpe.co.uk
WEB
www.manthorpe.co.uk

DRN R.P

Date 10.10.07

DRG No

Issue

The company maintains a policy of continuous development of its product range and reserves the right to amend the specification without notice.

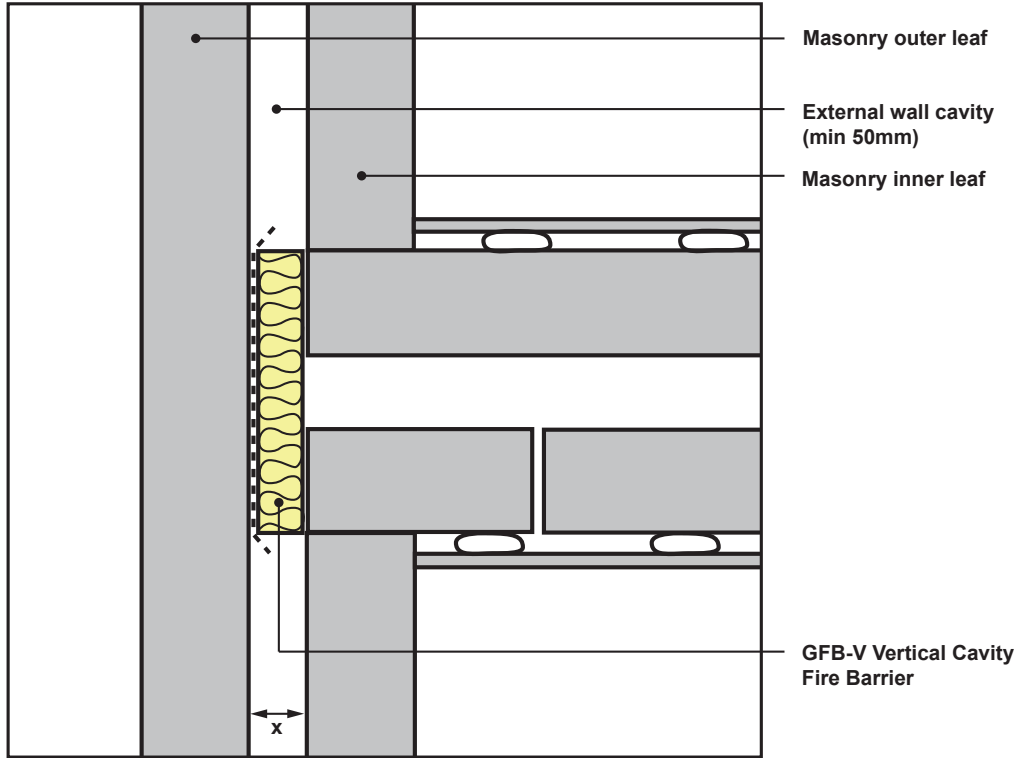
MBP 8259
(Sheets 1 of 2)

A

Vertical Fire and Acoustic Party-wall Integrity Barrier (100min Fire Resistance)

CODE: GWCB-V

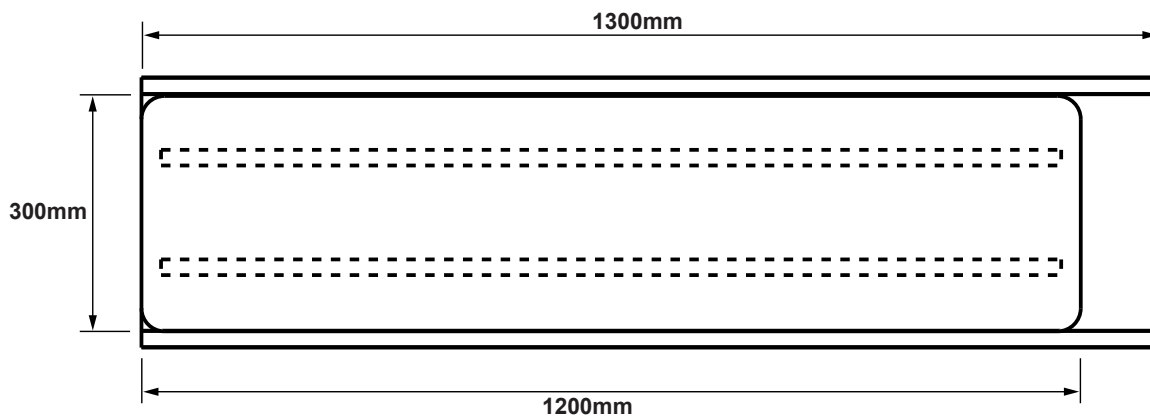
Top Section View:



References:

WFRC Report No. 144942
 BS EN 13501-1 (Euroclass A1)
 BS 476: Part 20: 1987 (100 Mins)

Dimensions:



MANTHORPE BUILDING PRODUCTS LTD
 MANTHORPE HOUSE
 BRITAIN DRIVE
 CODNOR GATE BUSINESS PARK
 RIPLEY
 DERBYSHIRE DE5 3ND

TEL: 01773 514 200
 FAX: 01773 514 262
 EMAIL:
 sales@manthorpe.co.uk
 WEB
 www.manthorpe.co.uk

DRN R.P

Date 10.10.07

DRG No

Issue

The company maintains a policy of continuous development of its product range and reserves the right to amend the specification without notice.

MBP 8259
 (Sheets 2 of 2)

A