

### Thermal Cavity Closer

CODE G247

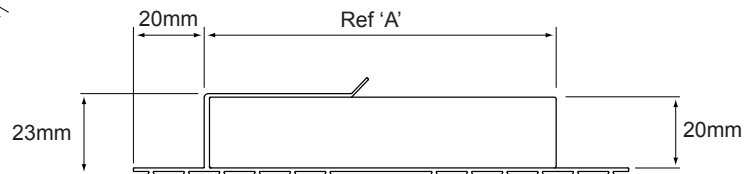
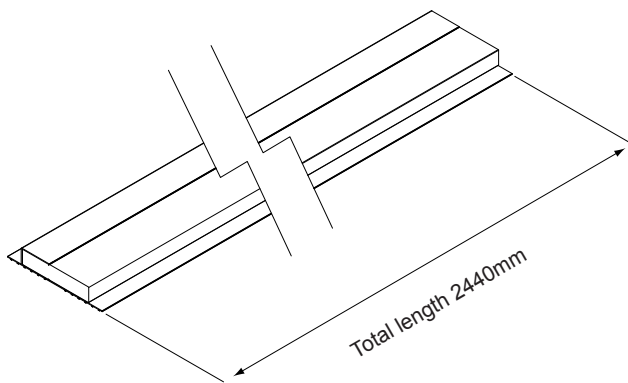
#### DESCRIPTION

The Manthorpe G247 Profile Cavity Closer suits standard vertical cavity details and sill details. It provides an economical solution to cold bridging problems and is available in a range of sizes to suit varying cavity widths. It can easily be installed with no special fixing requirements or tools.

The Manthorpe G247 Cavity Closer not only provides a thermal break to the cavity but also acts as an effective DPC barrier.

It meets the building regulations and achieves the required U value at the reveal of door and window openings when the frames are fixed to allow a 30mm overlap into the cavity.

For detailed fitting instructions see product information sheet MBP 8239.



Specification	Extrusion	Insulation
Material	UPVC	Superplus Polystyrene
Colours	White	Black
Manufacturing Process	Extrusion	
K - Value		0.030 W/mk
Packing Details	6 Lengths per pack	

References	
BRE	DIGEST 262
BRE	Information Paper IP 1/06
BSI	BS5250
DOE	Building Regs L
NHBC	Good Practice
NHBC	Standards

PRODUCT CODE	DIMENSION REFERENCE 'A'	WEIGHT PER PACK (KG)
G247/50	50	4.75 kg
G247/65	65	4.84 kg
G247/75	75	4.90 kg
G247/90	90	5.10 kg
G247/100	100	5.42 kg

MANTHORPE BUILDING PRODUCTS LTD  
 MANTHORPE HOUSE  
 BRITTAIN DRIVE  
 CODNOR GATE BUSINESS PARK  
 RIPLEY  
 DERBYSHIRE DE5 3ND

TEL: 01773 514 200  
 FAX: 01773 514 262  
 EMAIL:  
[sales@manthorpe.co.uk](mailto:sales@manthorpe.co.uk)  
 WEB:  
[www.manthorpe.co.uk](http://www.manthorpe.co.uk)

DRN M.R.      DATE 10.01.08

The company maintains a policy of continuous development of its product range and reserves the right to amend the specification without notice.

DRG NO  
**MBP 8238**

ISSUE  
**B**