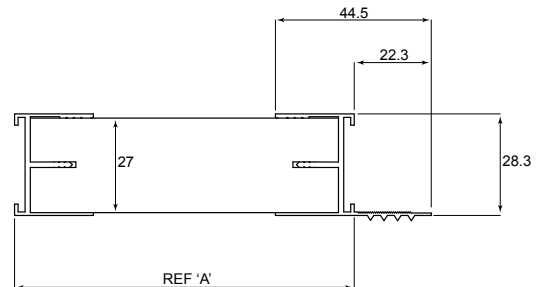
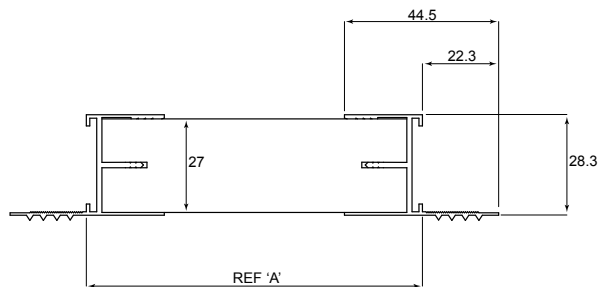
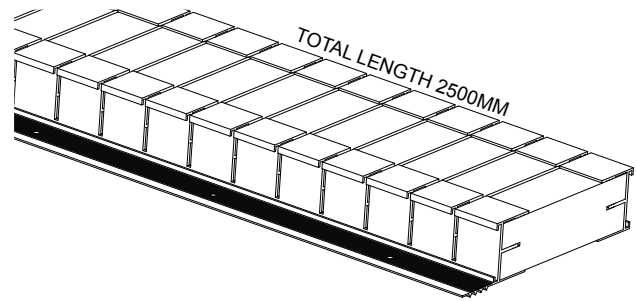
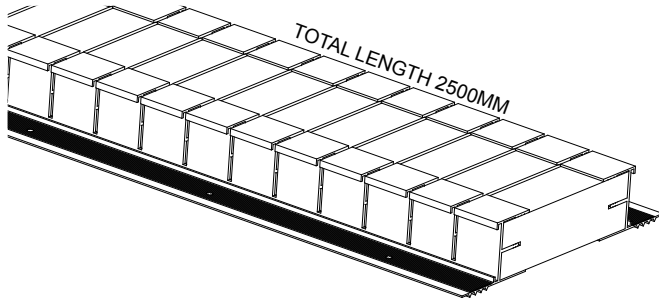


## Flexible Thermal Cavity Closer

CODE G243/G244



PRODUCT CODE	DIMENSION REFERENCE 'A'	WEIGHT PER PACK
G243/50	50 +0/-2	6.30kg
G243/65	65 +0/-2	6.60kg
G243/75	75 +0/-2	6.70kg
G243/85	85 +0/-2	6.80kg
G243/90	90 +0/-2	7.05kg
G243/100	100 +0/-2	7.20kg

Intermediate sizes up to 150mm can be made to order

PRODUCT CODE	DIMENSION REFERENCE 'A'	WEIGHT PER PACK
G244/50	50 +0/-2	5.80kg
G244/65	65 +0/-2	6.10kg
G244/75	75 +0/-2	6.20kg
G244/85	85 +0/-2	6.30kg
G244/90	90 +0/-2	6.55kg
G244/100	100 +0/-2	6.70kg

Intermediate sizes up to 150mm can be made to order

	EXTRUSION	STYROFOAM
<b>COLOUR</b>	WHITE	BLUE
<b>PACKING DETAILS</b>	6 LENGTHS PER PACK	
<b>MATERIAL</b>	UPVC	CFC free extruded polystyrene
<b>MANUFACTURING PROCESS</b>	EXTRUSION	
<b>K VALUE</b>	-	0.035 W/mK
<b>ODP</b>	-	0
<b>GWP</b>	-	LESS THAN 5
<b>CFC</b>	-	FREE

References	
BRE:	DIGEST 262
BRE:	Information Paper IP 8/08
BSI:	BS5250
DOE:	Building Regs L
NHBC:	Good Practice Guide
NHBC:	Standards
BBA CERT NO:	96/3226

MANTHORPE BUILDING PRODUCTS LTD  
 MANTHORPE HOUSE  
 BRITAIN DRIVE  
 CODNOR GATE BUSINESS PARK  
 RIPLEY  
 DERBYSHIRE DE5 3ND

TEL: 01773 514 200  
 FAX: 01773 514 262  
 EMAIL: sales@manthorpe.co.uk  
 WEB www.manthorpe.co.uk

DRN M.R Date 21.10.08

The company maintains a policy of continuous development of its product range and reserves the right to amend the specification without notice.

DRG No

**MBP 8087**

Issue

**B**