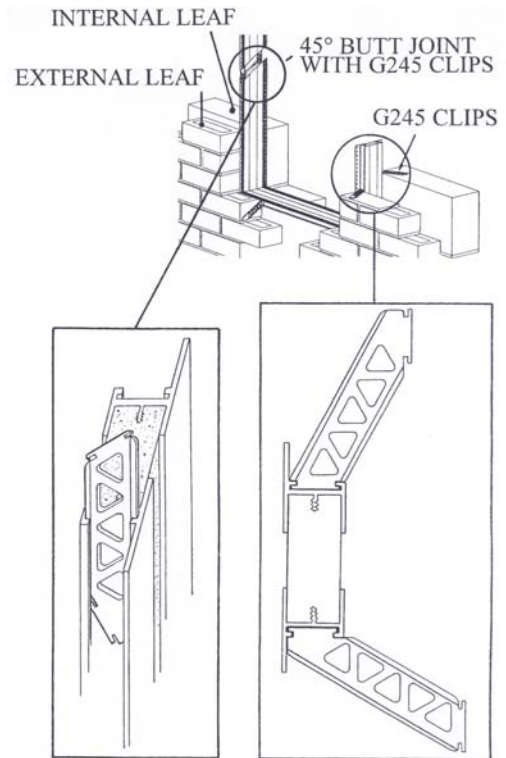
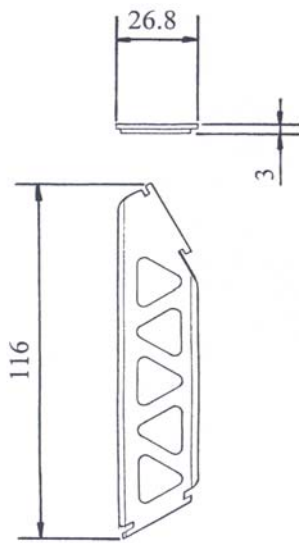
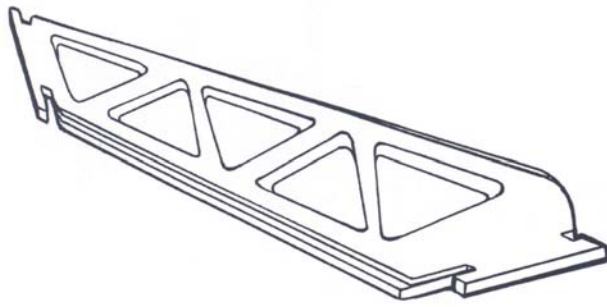


Fixing Clip

CODE **G245**



Description:

The G245 Fixing Clip is designed to tie the Manthorpe cavity closer into the brickwork / blockwork coursing. Alternatively it can also be used to join lengths of cavity closer together.

COLOURS	Black
PACKING DETAILS	Packed in 100's in polythene bag.
WEIGHT	0.43kg per pack
MATERIAL	Polypropylene
MANUFACTURING PROCESS	Injection Moulded

Fitting Instructions:

The G245 Fixing Clip has alternative fixing legs at each end to enable the tie to be used at either 30 degrees or 60 degrees. The fixing tie should be simply turned and locked into the fixing channel allowing variable height adjustment to match coursing. Lengths of the cavity closer can be joined together using the G245 Fixing Clip ensuring that the butt joints slope down at 45 degrees to the outer leaf as shown.

A minimum of four ties should be used per window jamb two near the top (one in each leaf) and two near the bottom.

Calculation Of Ties:

For ordering purposes Manthorpe recommends eight fixing clips should be ordered per 2.44m length of cavity closer.

MANTHORPE BUILDING PRODUCTS LTD
MANTHORPE HOUSE
BRITAIN DRIVE
CODNOR GATE BUSINESS PARK
RIPLEY
DERBYSHIRE DE5 3ND

TEL: 01773 514 200
FAX: 01773 514 262
EMAIL: sales@manthorpe.co.uk
WEB: www.manthorpe.co.uk

DRN M.L.W.O

Date 01.08.03

DRG No

Issue

The company maintains a policy of continuous development of its product range and reserves the right to amend the specification without notice.

MBP 8090

A