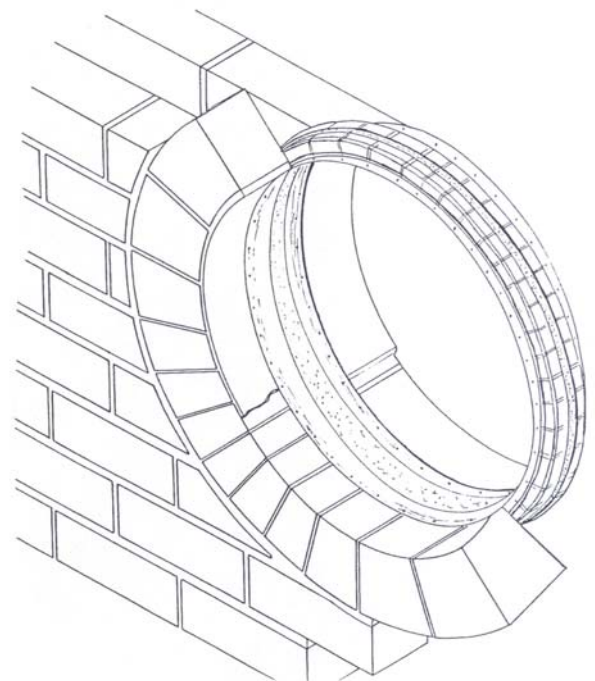
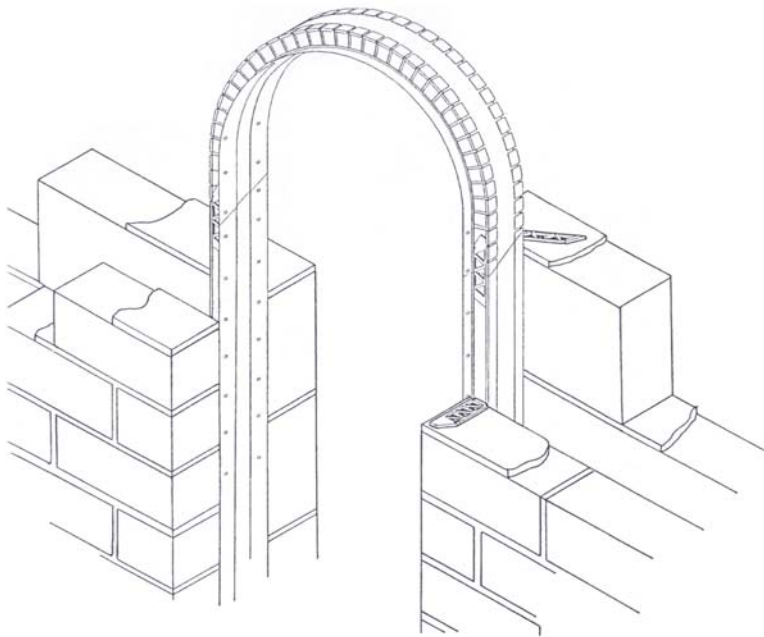


Flexible Cavity Closer

CODE **G243 / G244**



G243 PROFILE SHOWN

Description:

Manthorpe flexible cavity closer is available in two alternative profiles. The G243 Cavity Closer suits standard cavities (figure 1) while the G244 is suitable for rebated details (figure 2). Both are suitable for closing the cavity at circular or arched openings with a minimum diameter of 500mm.

It meets all current building regulations and achieves the required U value at the reveal of door and window openings when the frames are fixed to allow a 15mm overlap into the cavity.

This overlap can be reduced depending on the surrounding construction. For further details on how to calculate this required overlap see BRE Information Paper IP 17.

It is recommended that a suitable cavity tray should be fitted above the window to shed water away from the closer, frame and inner leaf. For detailed fitting instructions see product information sheet MBP 8089.

References:

BRE:	DIGEST 262
BRE:	Information Paper IP 17
BSI:	BS5250
DOE:	Building Regs L1
EC:	3093-940 Standard (Styrofoam)
NHBC:	Good Practice Guide
NHBC:	Standards

MANTHORPE BUILDING PRODUCTS LTD
MANTHORPE HOUSE
BRITAIN DRIVE
CODNOR GATE BUSINESS PARK
RIPLEY
DERBYSHIRE DE5 3ND

TEL: 01773 514 200
FAX: 01773 514 262
EMAIL:
sales@manthorpe.co.uk
WEB:
www.manthorpe.co.uk

DRN M.L.W.O

Date 01.08.03

DRG No

Issue

The company maintains a policy of continuous development of its product range and reserves the right to amend the specification without notice.

MBP 8087

A