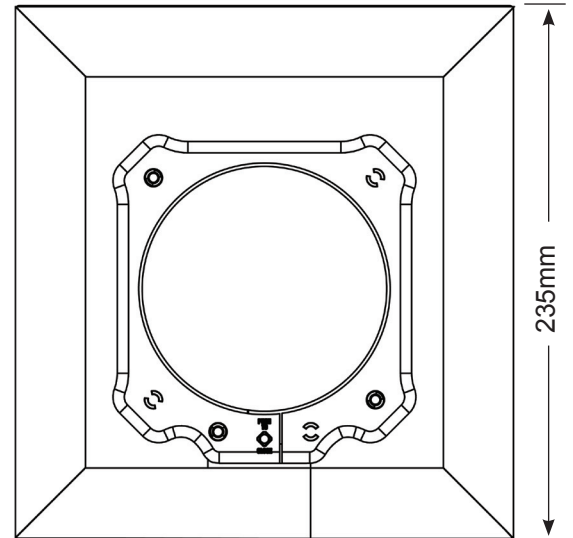
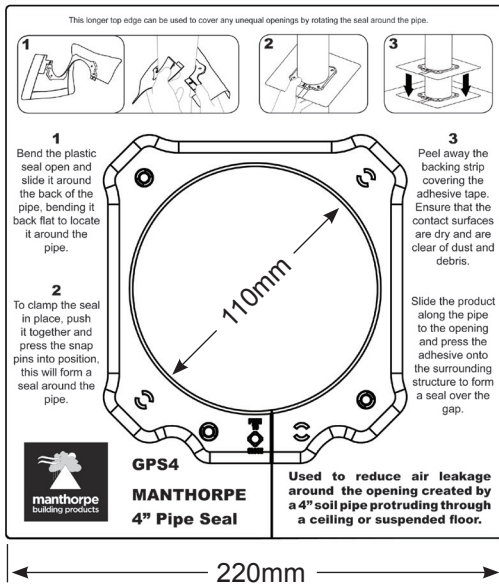


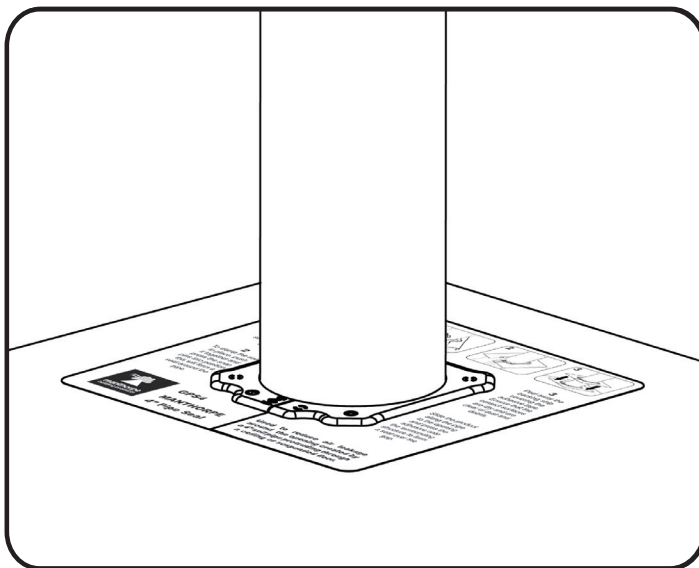
4" Soil Pipe Seal

CODE GPS4



Description

The Manthorpe 4" Soil Pipe Seal is designed to seal the hole created around a 4" soil pipe when it penetrates through a ceiling or suspended floor. The seal is intended for use after the installation of the soil pipe and before the stack is boxed in and plastered, as such the seal can be split open to allow it to bend around the back of the pipe once installed and then clipped shut again clamping it to the pipe (the smaller diameter hole in the polythene creates a lip which seals around the pipe). The GPS4 can be applied to the ceiling face from inside the room, or down from above in the loft space, it should be orientated so the mastic tape is facing the desired sealing plane. Once aligned, the backing from the mastic tape can be removed and the product slid along to pipe to the opening. The tape will seal around the gap when pressed into position; significantly reducing the air leakage through the detail. The polythene membrane of the GPS4 is flexible enough to allow it to bend around any edge or corner, for instances where the soil pipe is located against 1 or more walls, in addition one of the covering edges is longer to accommodate a potentially wider hole.



References

DOE
Building Regulations Part L Air Leakage

Specification

Colour	White	
Packing Details	20 units per box	
Weight	0.161kg	
Materials	Body Membrane Sealant	Polypropylene Polythene Rubber Based Butyl Tape
Manufacturing Processes	Body Membrane	Injection moulded Printed & Cut

MANTHORPE BUILDING PRODUCTS LTD
MANTHORPE HOUSE
BRITTAIN DRIVE
CODNOR GATE BUSINESS PARK
RIPLEY
DERBYSHIRE DE5 3ND

TEL: 01773 514 200
FAX: 01773 514 262
EMAIL: sales@manthorpe.co.uk
WEB: www.manthorpe.co.uk

DRN B.H Date 10.07.08

The company maintains a policy of continuous development of its product range and reserves the right to amend the specification without notice.

DRG No

MBP 8276

Issue

A