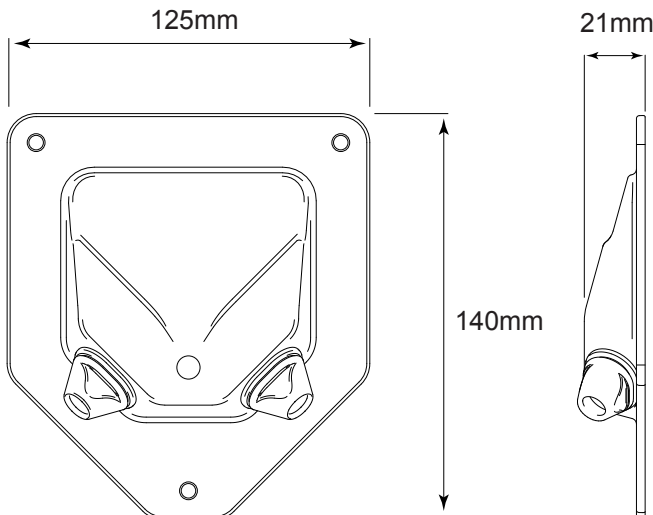
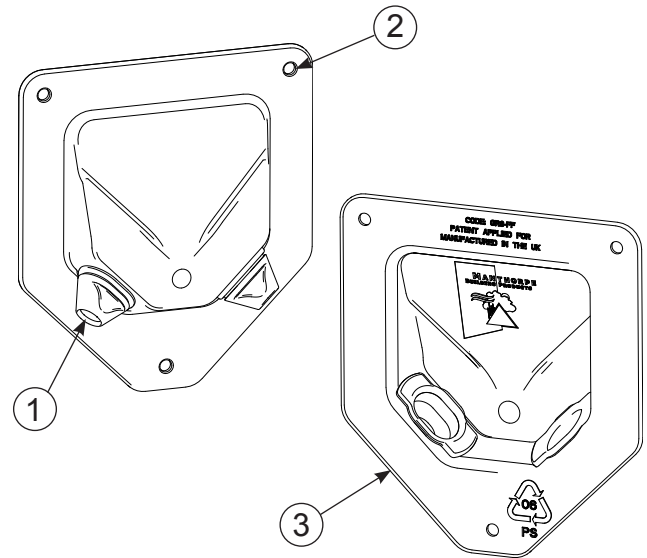
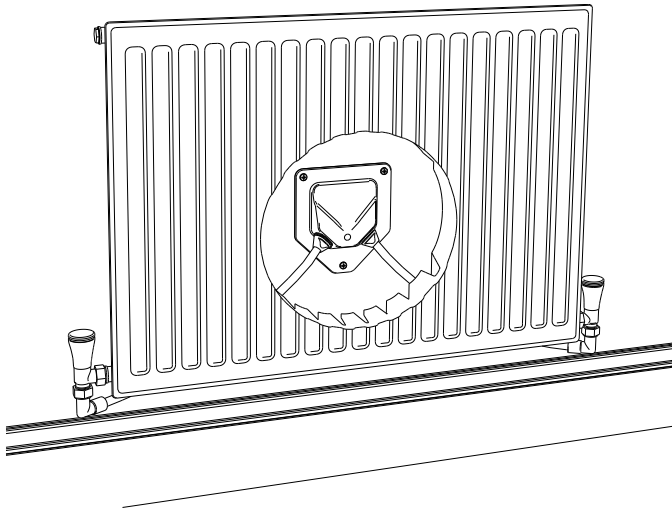


## Face-fix Radiator Pipe Guide & Seal

CODE GRS-FF



### Product Features

- |   |   |
|---|---|
| 1 | Flexible Grommet (Seal to stop air leakage) |
| 2 | Fixing Points (1 of 3 secure fixing points) |
| 3 | Seal bead (Seal to stop air leakage)        |

### References

DOE Building Regulations Part L Air Leakage

### Specification

Colours	White
Packing Details	20 per box
Weight	0.88 kg
Materials (Main body) (Grommets)	High impact polystyrene Thermoplastic elastomer
Manufacturing process	Injection moulded

### Description

The Face-fix Radiator Pipe Guide & Seal is designed particularly for use in studed wall details. There is no need for additional timber work, making the installation process more efficient. The Face-fix Radiator Pipe Guide & Seal can accommodate pipework from either side and entering from above or below. The unit is slim enough to fit behind most radiators and will provide a draught seal to help achieve the new air leakage requirements of the modern building regulations.

**Suitable for use with all 10mm plastic pipes.**

MANTHORPE BUILDING PRODUCTS LTD  
MANTHORPE HOUSE  
BRITAIN DRIVE  
CODNOR GATE BUSINESS PARK  
RIPLEY  
DERBYSHIRE DE5 3ND

TEL: 01773 514 200  
FAX: 01773 514 262  
EMAIL:  
sales@manthorpe.co.uk  
WEB  
www.manthorpe.co.uk

DRN M.R

Date 16.04.07

DRG No

**MBP 8251**

Issue

**B**

The company maintains a policy of continuous development of its product range and reserves the right to amend the specification without notice.