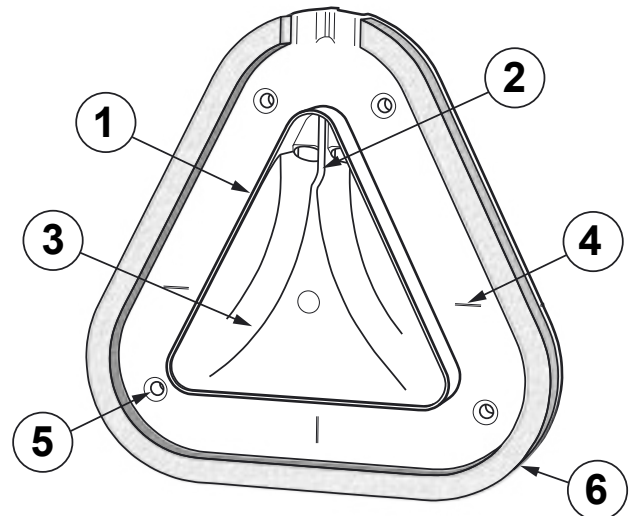
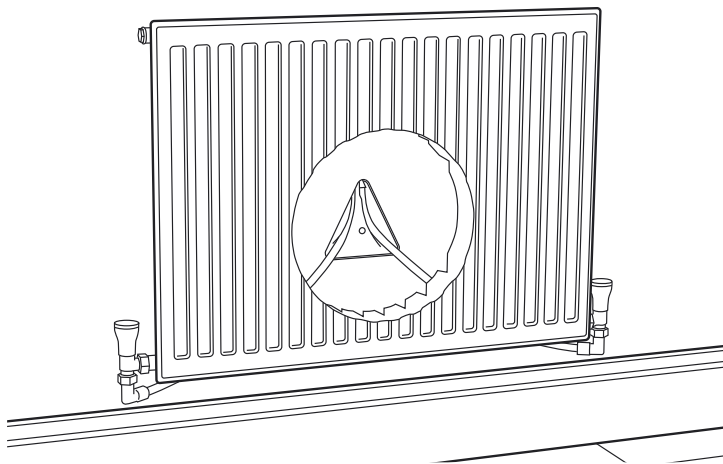
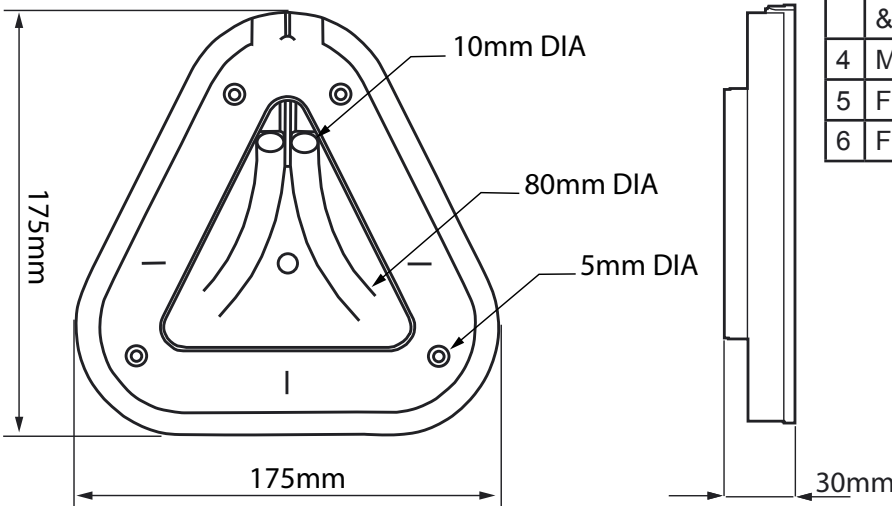


Radiator Pipe Guide & Seal

Code: GRS



Product Features	
1	Skim Bead (Guide for plastering up to)
2	Pipe Clamp (Prevents chaffing of pipe)
3	80mm Pipe Guide (Eliminates kinks & helps prevent pipe sag)
4	Marking Pips (Accurate installation)
5	Fixing Points (1 of 4 secure fixing points)
6	Foam Gasket (Seal to stop air leakage)



Description

The Radiator Pipe Guide & Seal has been designed and developed to meet the need of the modern builder. The unit fits behind the radiator guiding both pipes to the radiator valves without kinking or chaffing problems while also providing a draft seal. This helps builders to achieve the new air leakage requirements of the modern building regulations.

Suitable for use with all 10mm pipes.

References	
DOE	Building Regulations Part L Air Leakage

Specification	
Colours	White
Packing Details	20 per box
Weight	77g per unit, 1.9 kg per box
Material	High Impact Polystyrene
Seal	Polyester Foam
Manufacturing Process	Injection Moulded

MANTHORPE BUILDING PRODUCTS LTD MANTHORPE HOUSE BRITTAIN DRIVE CODNOR GATE BUSINESS PARK RIPLEY DERBYSHIRE DE53ND	TEL: 01773 514 200 FAX: 01773 514 262 EMAIL: sales@manthorpe.co.uk WEB: www.manthorpe.co.uk	DRN P.S	DATE 14.05.06	DRG No	ISSUE
		The company maintains a policy of continuous development of its product range and reserves the right to amend the specification without notice.		MBP 8234 (PAGE 1 OF 1)	A