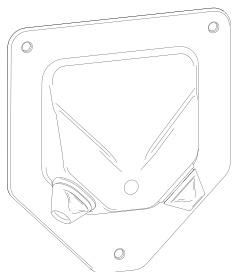
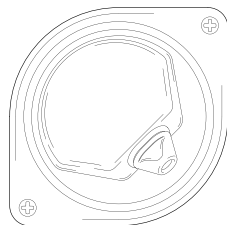


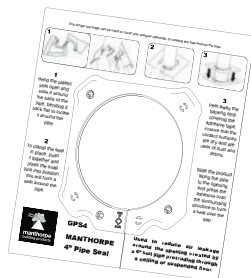
Also available in the Manthorpe pipe seal range:



Face-Fix Radiator
Pipe Guide & Seal
Code: *GRS-FF*



Single Exit Radiator
Pipe Guide & Seal
Code: *GRS-SE*



4" Soil Pipe Seal
Code: *GPS4*

Manufactured in the U.K.



GRS Radiator Pipe Guide & Seal

Fixing Instructions

Other products from the Manthorpe Range include Cavity Trays, Cavity Closer, Loft Doors, Linear Drainage, Access Panels, Roof Ventilation, Through Wall & Underfloor Ventilation, Joist Seals and Dry Roofing Products.

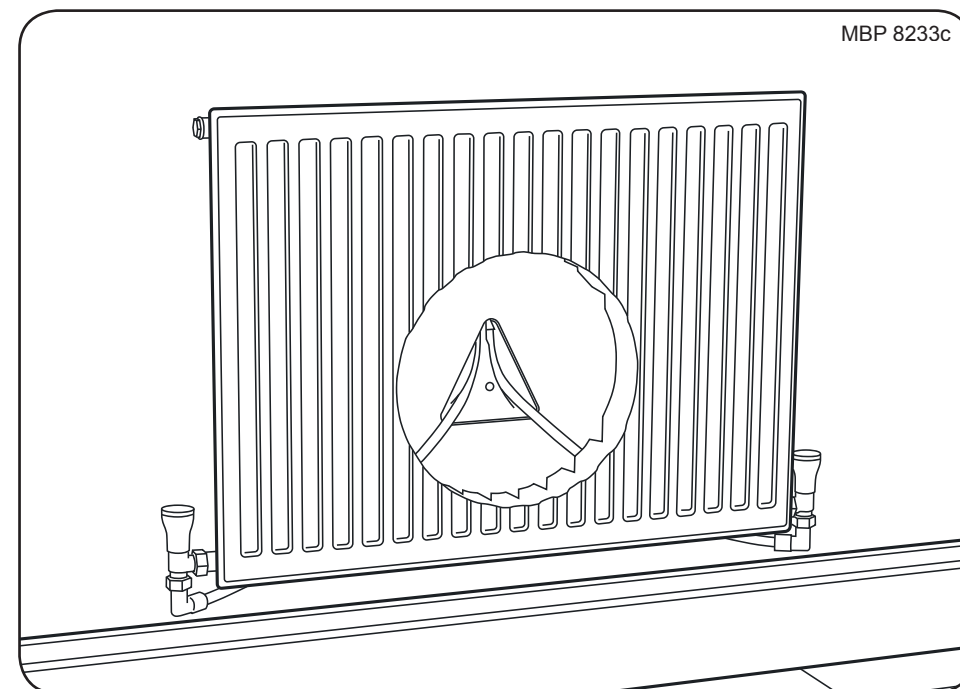


Manthorpe Building Products Limited

Manthorpe House, Brittain Drive, Codnor Gate Business Park, Ripley, Derbyshire DE5 3ND

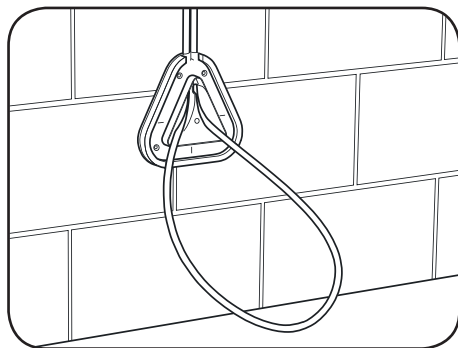
T: (01773) 514200 F: (01773) 514262 E: sales@manthorpe.co.uk

W: <http://www.manthorpe.co.uk>



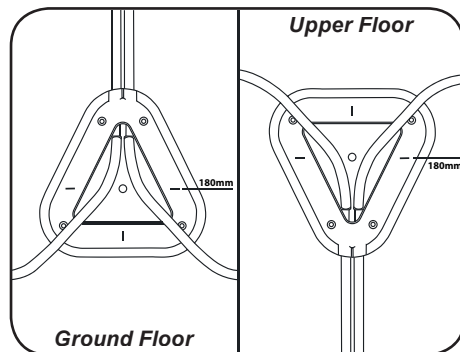
(Suitable for 10mm plastic pipe only)

Installation



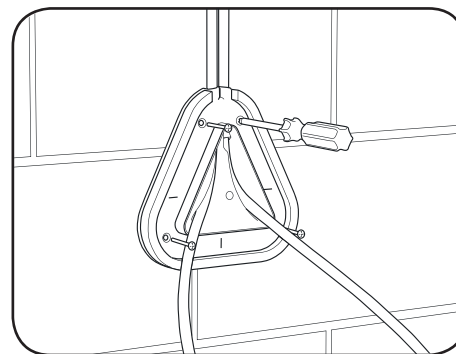
1. Thread the radiator pipe through the back of the Radiator Pipe Guide & Seal (GRS), around, and then back through the front as shown above. This will allow plumbing to be tested after first fix.

Alternatively the pipe could be cut into two lengths.



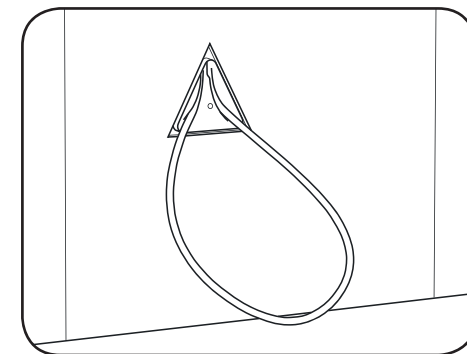
2. Orientate the GRS so that the pipes maintain a straight line from the ceiling or floor.

In both situations, the two horizontal height marks should be positioned 180mm above the center line of the pipe entry point to the radiator valves.



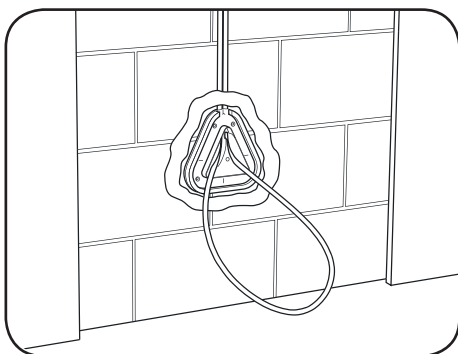
3. Mark out the position of all four holes, then remove the product. Drill and plug all four holes using a suitable drill bit and raw plugs.

Secure the GRS to the wall using four 4mm countersunk screws as shown above.

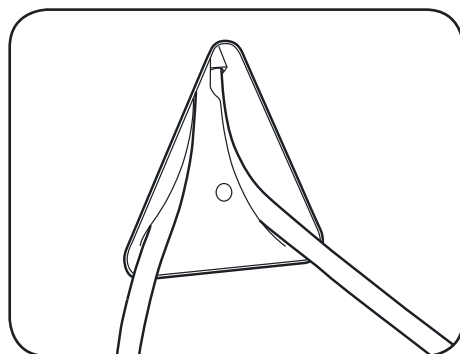


4. Mark out and cut an opening into the plasterboard.

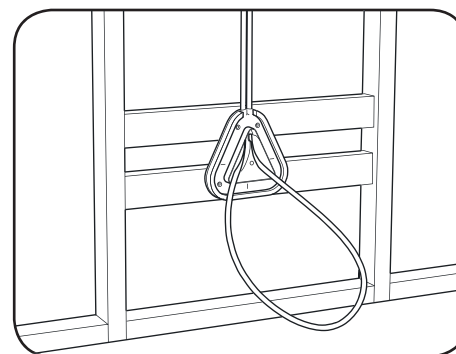
Offer the plasterboard up to the wall to ensure the opening is positioned correctly.



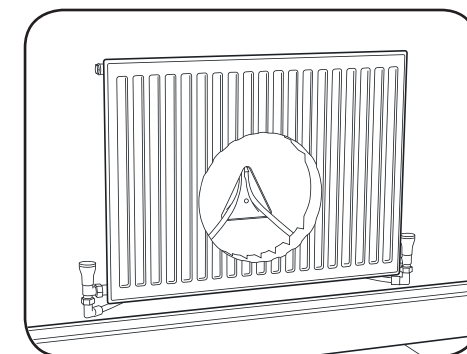
5. Use a continuous dab of drywall adhesive around the GRS as shown above then "dot and dab" the plasterboard into position as per normal building practice.



6. Once the plasterboard is secured to the wall, plaster the wall up to the edge of the GRS to leave a neat finish as shown above.



7. For studded walls, place two noggins set back 18mm from the front face of your studs. Secure the GRS to the wall using four 4mm countersunk wood screws as shown above.



8. Finally, fix your radiator to the wall and connect both water pipes following the manufacturer's recommendations.